

Fire Alarm System **FR 8000**



Actual Size = 126 x 116 x 21mm

Monitor up to 8 Zones.

The FR-8000 Fire Monitor provides an intelligent networked solution for the monitoring of up to 8 zones. The system consists of the FR-8000 display (as seen above) one FR-100 8 zone sensor input unit, and up to two FEC-6 engine room relay units (optional). This system allows for the monitoring of up to two cylinder release doors and cylinder fill /empty switches.

The system communicates via a 2-wire network cable with a maximum cable length of 1000 meters.

FR-8000 DISPLAY UNIT: Features include:

- Full indication from one central location on your boat.
- Visual indication of Fire or Fault.
- Audible indication of Fire or Fault.
- Isolate any zone.
- All zone names programmable e.g. (Saloon) (Engine Room) (Upper Deck) (Master Cabin).
- Backlight.

FR-100 : Is the zone controller which manages the sensors. Features include:

- 8 separate zone inputs.
- Output Relay's x 2.
- 10 A resistive @ 24VDC.
- Relay 1 & relay 2 close on Fire detection.
- Relay 1 opens when alarm is muted.
- Relay 2 opens when all zones are OK.

FEC-6 : Is the engine room controller unit (optional). Features include:

- 6 relays.
- Output relay 1 to 4 = 10 A resistive @ 24VDC.
- Output relay 5 & 6 = 1 A resistive @ 30VDC.
- Relay 4 activated on a programmable timer.
- Relay 5 opens when alarm is muted.
- 4 inputs (for extinguisher cylinder empty/fill switches).

Supply Voltage: 12 ~ 32 Volts DC (Auto sensing) | Quiescent Current: 12 Milliamps (with backlight off)
Backlight Reverse polarity protected | Network cable length=1000m | Voltage & EMI Protected
Data Retention: 50 years (without power)

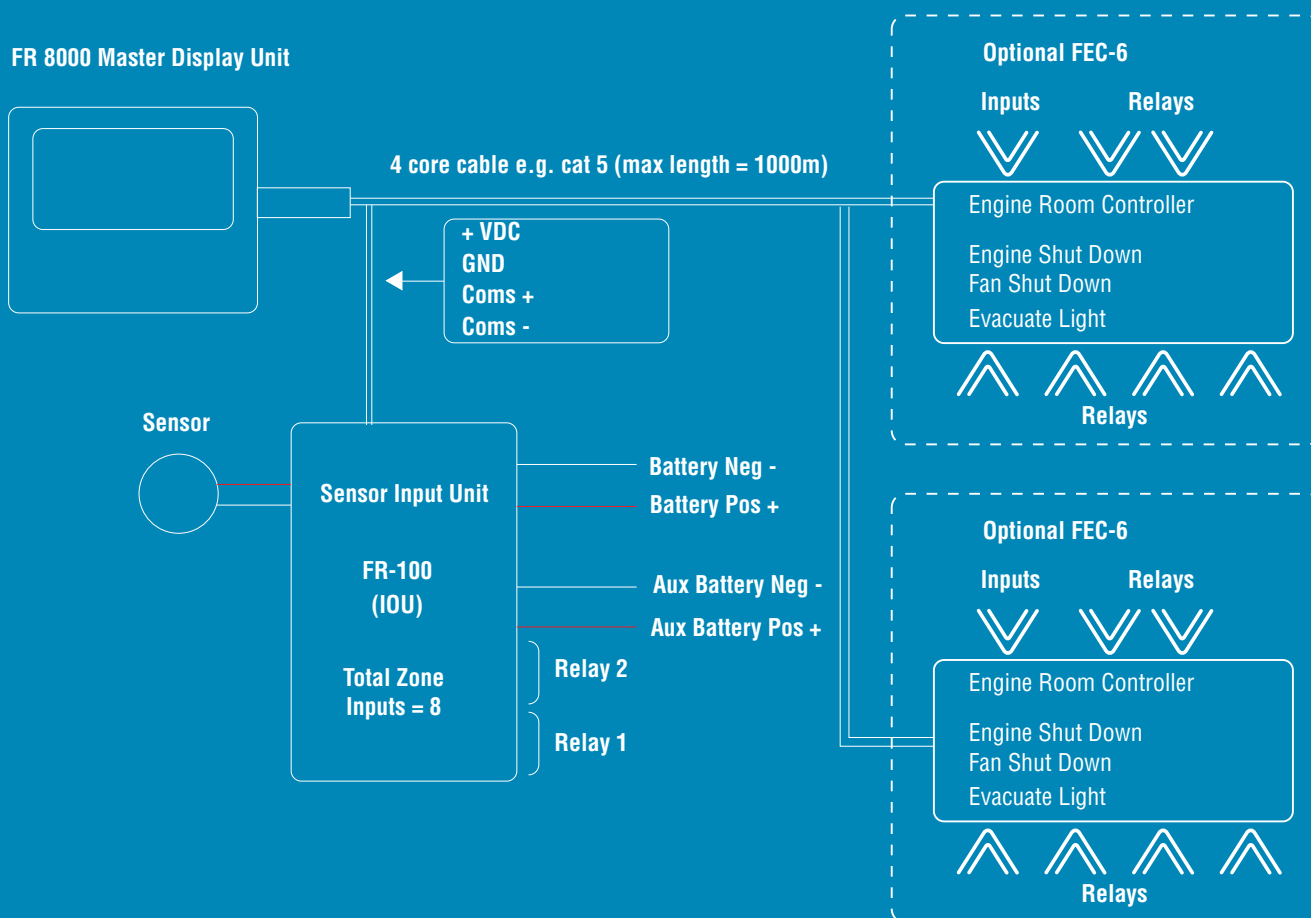


Fire Alarm System **FR 8000**

SYSTEM OVERVIEW

The FR-8000 and FR-16000 have been developed to allow monitoring of up to 8 or 16 zones. Each zone can have up to 18 sensors attached. It is a network system consisting of the FR-8000 or FR-16000 Master Display and one or two FR-100 eight zone inputs.

All devices are interconnected by a 2 wire network cable, similar to that used for telephone installations. The Master Display Unit (MDU) controls communication with all the attached Input and Output units. The network cable can be up to 1000 meters in length.



ORDER INFORMATION*

PART NUMBER:	PRODUCT DESCRIPTION:
FR-16000	MASTER DISPLAY UNIT 16 ZONE ALARM PANEL
FR-8000	MASTER DISPLAY UNIT 8 ZONE ALARM PANEL
FR-100	ZONE CONTROLLER, MANAGES UP TO 8 ZONES
FEC-6	ENGINE ROOM CONTROLLER WITH 6 OUTPUTS
FEC-1	1 RELAY OUTPUT

*SPECIFICATIONS SUBJECT TO CHANGE WITHOUT NOTICE.